

## FMLP05050TOM

Lavabi/washbasins

codice  
code

Lavabo Forma 50 sospeso monoforo  
Cm 65 wall-hung one-hole washbasin

bianco lucido/ shiny white

FMLA043140C0BI

finiture COLORS 1250°/COLORS 1250° finishing

FMLA043140C0

(Specificare il colore al momento dell'ordine/ Specify the color when ordering)

FMLA043140C0... CT/CE/CA

finiture SHINE/ SHINE finishing

FMLA043140C0

(Specificare il colore al momento dell'ordine/ Specify the color when ordering)

FMLA043140C0... PS/SA/SS

finiture LUXURY/LUXURY finishing

FMLA043140C0

(Specificare il colore al momento dell'ordine/Specify the color when ordering)

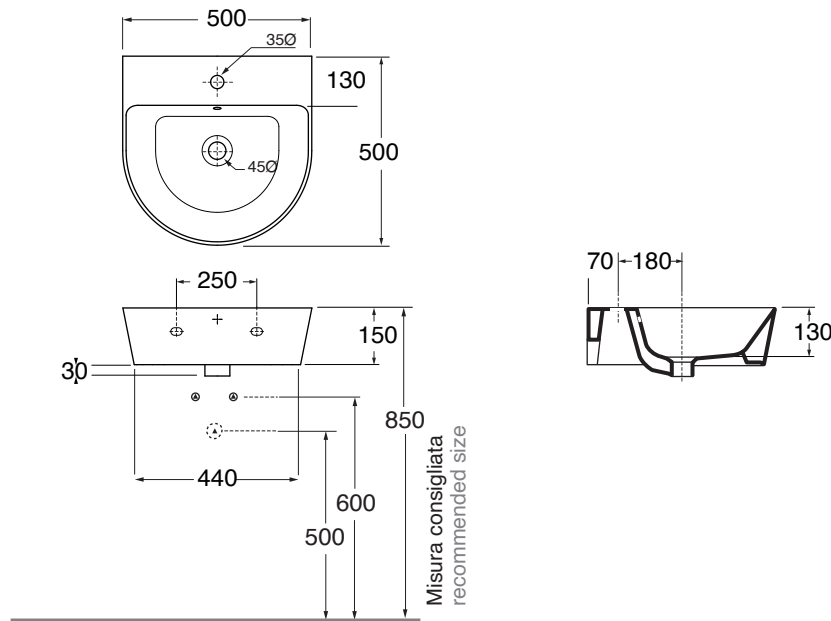
FMLA043140C0... OG/PL/OR



cm 50x50xh16

plt Italy pz. 16- plt export pcs. 26

kg 15,5



scala/scale 1:20 dimensioni/dimensions in mm

Disponibili per tutti i prodotti FORMA e per le pilette con tappo in ceramica PILCE e PILCK,  
Available for all FORMA products and for the free flow ceramic drains PILCE end PILCK

Ceramica



BI  
bianco lucido  
shiny white

LUXURY



OG  
oro  
gold



PL  
platino  
platinum



OR  
oro rosa  
rose gold

COLORS 1250°



CT  
cotone  
cotton



PR  
perle  
pearl



CE  
cenere  
ash



NA  
verde natura  
nature green



TO  
torfora  
taupe



RB  
blu royale  
royale blu



CC  
cacao  
cocoa



AN  
antracite  
anthracite



CA  
carbone  
coal

SHINE



PS  
pesca lucido  
shiny peach



SA  
salvia lucido  
shiny sage



SS  
sasso lucido  
shiny stone



MA  
mango lucido  
shiny mango



CL  
ciliegia lucido  
shiny cherry



OC  
oceano lucido  
shiny ocean



NL  
nero lucido  
shiny black

Complementi/complements:

Codice  
code

Codice  
code



Piletta con tappo in ceramica bianco lucido  
free flow ceramic drain glossy white

kg 0,5

PILCE



Piletta con tappo in ceramica click click  
Click click free flow ceramic drain

kg 0,5

PILCK

|   |                                   |                           |  |                         |
|---|-----------------------------------|---------------------------|--|-------------------------|
| TECHNICAL SHEET n°: <b>01</b>   | DESIGNER: <b>OFFICINA AZZURRA</b> | CODE: <b>FMLP05050TOM</b> | Azzurra sanitari in ceramica S.p.a.<br>via Civita Castellana snc 01030<br>Castel S.Elia (VT) - ITALY<br>Tel.+39.0761 518155<br>Fax.+39.0761 514560 |                         |
| SHEET FORMAT: <b>A4</b>   | ISO                               | REVISION: <b>05</b>       | SCALE: <b>1:20</b>   | DATE: <b>14/03/2025</b> |
| REGULATIONS: <b>CE EN 14688 / EN31 / Dop-14688</b>  |                                   |                           |  |                         |
| All the measurements respect the tolerances provided by the "AZZURRA QUALITY GUIDELINES". |                                   |                           |  |                         |



\* Regolaions here shown are exclusively referred to ceramic items