

FORMA scarico silenzioso

AZZURRA®

FMVKSPE0000W

sanitari sospesi Easy Clean/Easy Clean wall hung mounted sanitary wares

codice
code



Vaso Forma Easy Clean sospeso con scarico a vortice silenzioso
Forma Easy Clean vortex silent flush system

bianco lucido/ shiny white

FMVKSPE0000WBI

finiture COLORS 1250°/ COLORS 1250° finishing

(Specificare il colore al momento dell'ordine/ Specify the color when ordering)

FMVKSPE0000W... CT/CE/CA...

finiture SHINE/ SHINE finishing

(Specificare il colore al momento dell'ordine/ Specify the color when ordering)

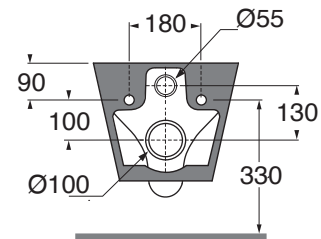
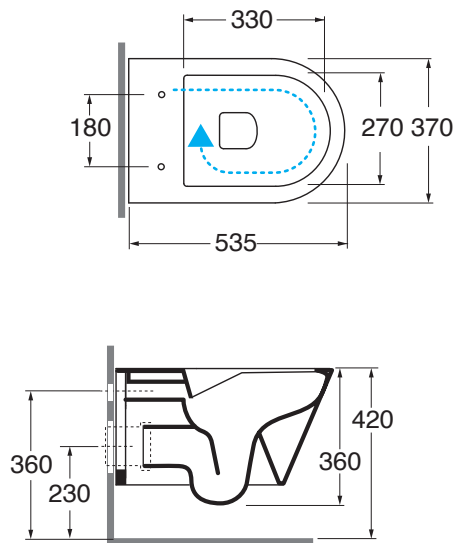
FMVKSPE0000W... PS/SA/SS...

cm 54x37xh34

plf italy pz. 15 - plf export pcs.20

kg 24

Tecnologie/technologies:



scala/scale 1:20 dimensioni/dimensions in mm

Gamma di colori disponibile per vaso e sedile
Color range available for wc and wrapover

COLORS 1250°



Ceramica



SHINE



Complementi/complements:



Sedile termoindurente
con chiusura frizionata a sgancio rapido
Thermosetting soft close seat cover
with quick release

Codice
code

bianco lucido/ shiny white

FOR 1800/F

COLORS 1250

FOR 1800/F...CT CA CE...

SHINE

FOR 1800/F...PS SA SS...

specificare il colore al momento dell'ordine
specify the color when ordering



Codice
code

IN DOTAZIONE
INCLUDED

Fissaggio rapido per staffa universale
Quick fastener for multipurpose bracket

KIT 2000 SO

| | | | | | |
|---|-----------------------------------|---------------------------|--|-------------------------|--|
| TECHNICAL SHEET n°: 01 | DESIGNER: OFFICINA AZZURRA | CODE: FMVKSPE0000W | Azzurra sanitari in ceramica S.p.a. via Civita Castellana snc 01030 Castel S.Elia (VT) - ITALY Tel.+39.0761 518155 Fax.+39.0761 514560 | | |
| SHEET FORMAT: A4 | ISO | REVISION: 05 | SCALE: 1:20 | DATE: 14/03/2025 | |
| REGULATIONS: CE EN 997 / EN33 / Dop-997 * | | | | | |
| All the measurements respect the tolerances provided by the "AZZURRA QUALITY GUIDELINES". | | | | | |

* Regulations here shown are exclusively referred to ceramic items