

codice
code

MBCH110 MOBILI/FURNITURE

Mobile CHARLOTTE rovere con cassettone laterale NUBE/CEMENTO/LAGUNA

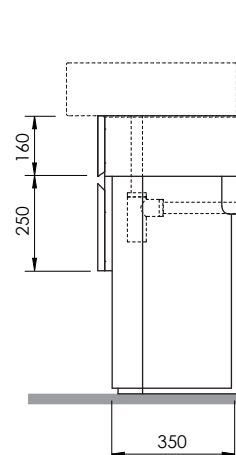
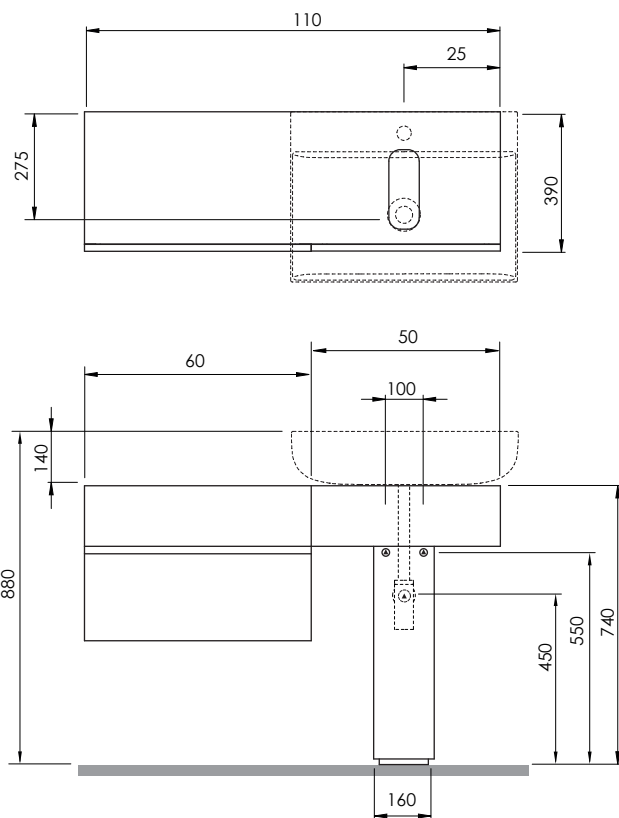
CHARLOTTE Oak or walnut furniture with lateral drawer CLAUD/CONCRETE/LAGOON

MBCH110R..N..C..L



Cm 110X39XH74

plf italy pz. 1 - plf export pcs. 1



scala/scale 1:20 dimensioni/dimensions in mm

Gamma di colori disponibile per mobile elemento a T
Color range available for furniture, T element



Rovere
Oak

Gamma di colori disponibile per mobile cassetto inferiore
Color range available for furniture, lower drawer



Nube
Cloud



Cemento
Concrete



Laguna
Lagoon

TECHNICAL SHEET n°: 01	DESIGNER: OFFICINA AZZURRA	CODE: MBCH110		
SHEET FORMAT: A4	ISO	REVISION: 02	SCALE: 1:20	DATE 01/04/2025
REGULATIONS				
All the measurements respect the tolerances provided by the "AZZURRA QUALITY GUIDELINES".				

Azzurra sanitari in ceramica S.p.a.
via Civita Castellana snc 01030
Castel S.Elia (VT) - ITALY
Tel. +39.0761 518155
Fax. +39.0761 514560

