

MBCL100

MOBILI / FURNITURE

codice
code



Mobile CLEER 100X51XH80 SENZA ante scorrevoli
CLEER cabinet 100X51XH80 WITHOUT sliding doors

MBCL100

finiture:

bianco/withe

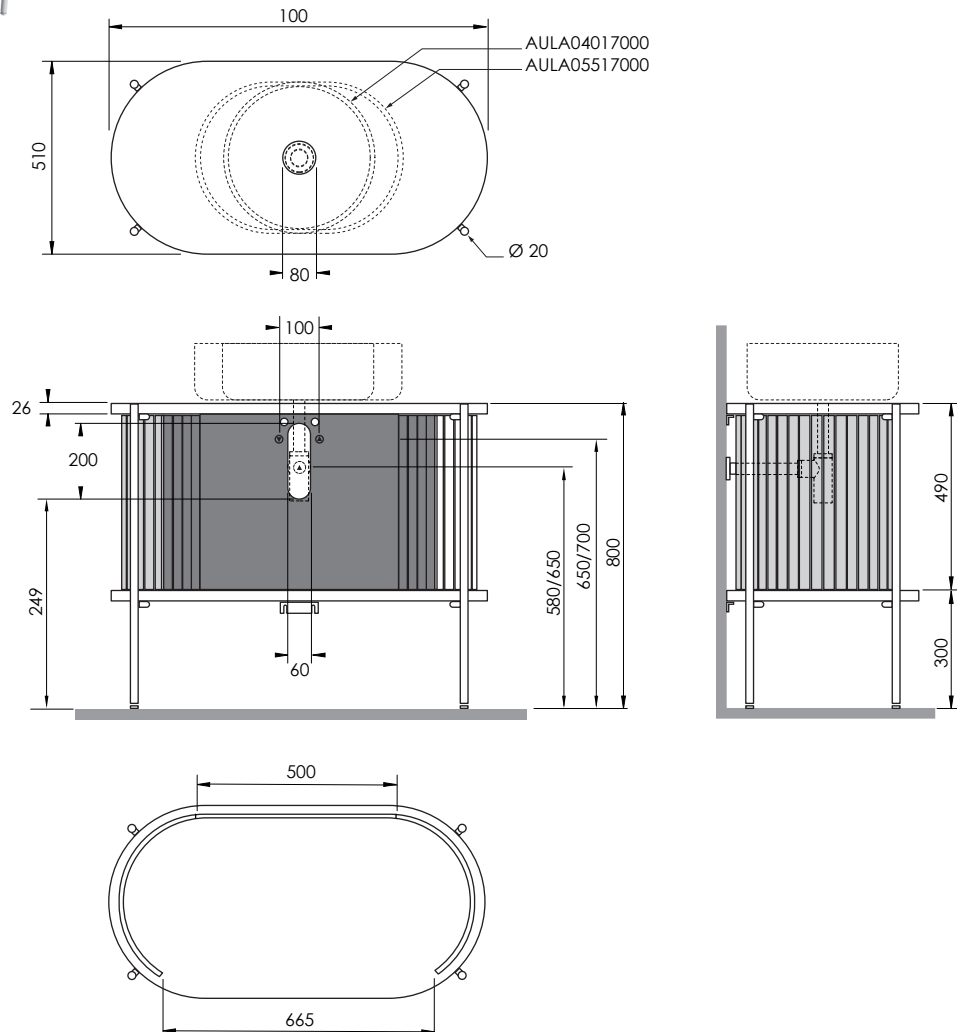
MBCL100 W

nero/black

MBCL100 B

Cm 100x51xh80

plf italy pz. 1 - plf export pcs. 1



scala/scale 1:20 dimensioni/dimensions in mm

Gamma di colori disponibile
Color range available



| | | |
|---|--|--------------------------|
| TECHNICAL SHEET n°: 01 | DESIGNER: DGO_Diego Grandi Studio | CODE: MBCL100 |
| SHEET FORMAT: A4 | ISO | REVISION: 02 |
| REGULATIONS | SCALE: 1:20 | DATE : 31/03/2025 |
| All the measurements respect the tolerances provided by the "AZZURRA QUALITY GUIDELINES". | | |

Azzurra sanitari in ceramica S.p.a.
via Civita Castellana snc 01030
Castel S.Elia (VT) - ITALY
Tel.+39.0761 518155
Fax.+39.0761 514560

