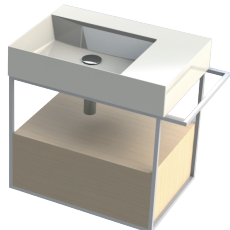


## MSQ 65



Mobile sospeso SQUARED struttura nera con cassettone finitura cemento  
*SQUARED wall-hung cabinet black structure and cement finish with big drawer*

codice  
code

**MSQ 65 N C**

Mobile sospeso SQUARED struttura nera con cassettone finitura olmo naturale  
*SQUARED wall-hung cabinet black structure and natural elm finish with big drawer*

**MSQ 65 N N**

Mobile sospeso SQUARED struttura bianca con cassettone finitura cemento  
*SQUARED wall-hung cabinet white structure and cement finish with big drawer*

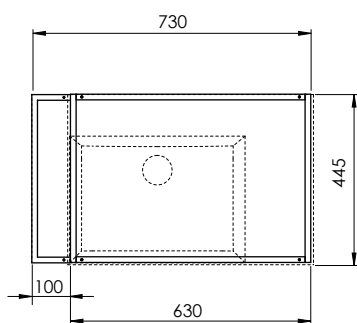
**MSQ 65 B C**

Mobile sospeso SQUARED struttura bianca con cassettone finitura olmo naturale  
*SQUARED wall-hung cabinet white structure and natural elm finish with big drawer*

**MSQ 65 B N**

Cm 73X44,5XH52

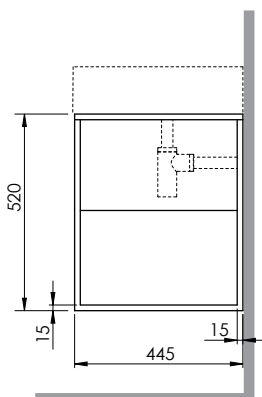
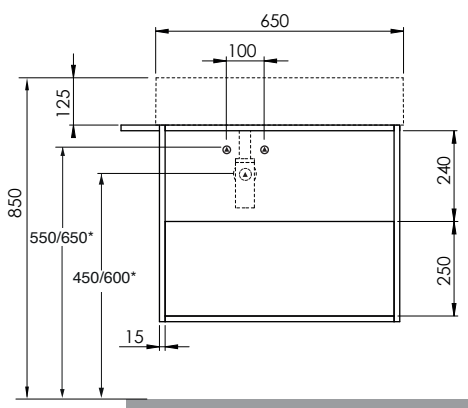
kg 20,9



possibilità di abbinare i lavabi squared:  
 possibility of combination with squared washbasins:

codice  
code

ELLP06546RQ0  
 ELLP06546RQM  
 ELLP06546LQ0  
 ELLP06546LQM



\* 600/650: misura per installazione mobili CROMA e SQUARED  
 \* 600/650: heights for CROMA and SQUARED furniture installation

scala/scale 1:20 dimensioni/dimensions in mm

Gamma di colori disponibile per MOBILE  
 Color range available for FURNITURE



Gamma di colori disponibile per STRUTTURA  
 Color range available for STRUCTURE



TECHNICAL SHEET n°: <b>01</b>	DESIGNER: <b>OFFICINA AZZURRA</b>	CODE: <b>MSQ 65</b>	Azzurra sanitari in ceramica S.p.a. via Civita Castellana snc 01030 Castel S.Elia (VT) - ITALY Tel.+39.0761 518155 Fax.+39.0761 514560	
SHEET FORMAT: <b>A4</b>	ISO	REVISION: <b>04</b>	SCALE: <b>1:20</b>	DATE: <b>26/03/2025</b>
REGULATIONS				
All the measurements respect the tolerances provided by the "AZZURRA QUALITY GUIDELINES".				

